



ITS 900

Concealed Cam-action Door Closer

QUALITY-ASSURED CONCEALED OVERHEAD DOOR CLOSER

ITS 900 Cam-action door closer is designed and manufactured to high quality standards to meet the growing demand for an economical solution of high-performance concealed overhead door closer with standard features.

The compact design of the closer body and slide-channel arm assembly allows it to be installed in the door or frame, making it virtually invisible; and depending on the door

Plus Points

For the trade

- Hassle-free ordering and inventory management – Closer body (non-handed) and slide-channel arm assembly in one box for ease of handling.

For the installer

- Ease of installation – Compact concealed cam-action (non-handed system) door closer with identical mounting position for both size 3 and size 4.
- Easy adjustment of the two closing speeds separately.

For the architect/specifier/designer

- Innovative engineering and design by DORMA.
- Compliance with statutory requirements for barrier-free building (C UL US Listed).
- Unblemished appearance of prestige doors – concealed installation.

construction, it can be used on almost any type of door with a thickness of 45mm or more.

ITS 900 offers all the benefits of advanced technology with the proven heart-shaped cam which ensures that the closing and opening of the door are easy to use for everyone.

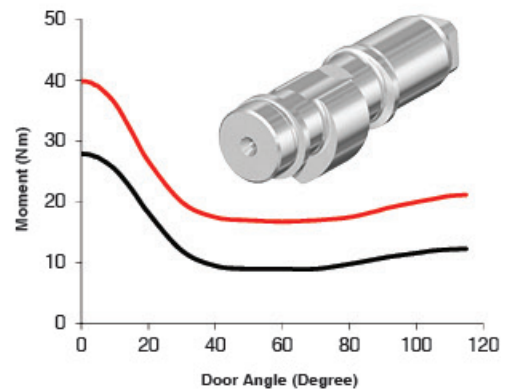
ITS 900 provides the reliability and quality which all DORMA products are well-known for.

For the user

- Barrier-free with DORMA Easy Open technology – Easy access for all users and for children, seniors and the physically-disabled.
- Convenience and Comfort – optional hold-open device and cushioned limit stay.
- Enhanced protection against vandalism – concealed installation.

Features	Size 3	Size 4
First Closing Speed adjustable by valve	●	●
Second Closing Speed adjustable by valve	●	●
Maximum door opening angle	approx. 115°	
Closer width (mm)	36	
Body length (mm)	230	
Door leaf thickness	≥45mm	
Max door leaf weight (kg)	60	80
Max Door Width (mm)	950	1100
Slide Channel	●	●
Non-handed design	●	●
Dimension (mm)	Length	267
	Width	36
	Height	57
Cushioned limit stay	●	●
Hold Open	○	○
C UL US Listed	●	●

● Yes – No ○ Option



Moment profile of an ITS 900 cam-action door closer (Size 4) — Opening Moment (red line), Closing Moment (black line)

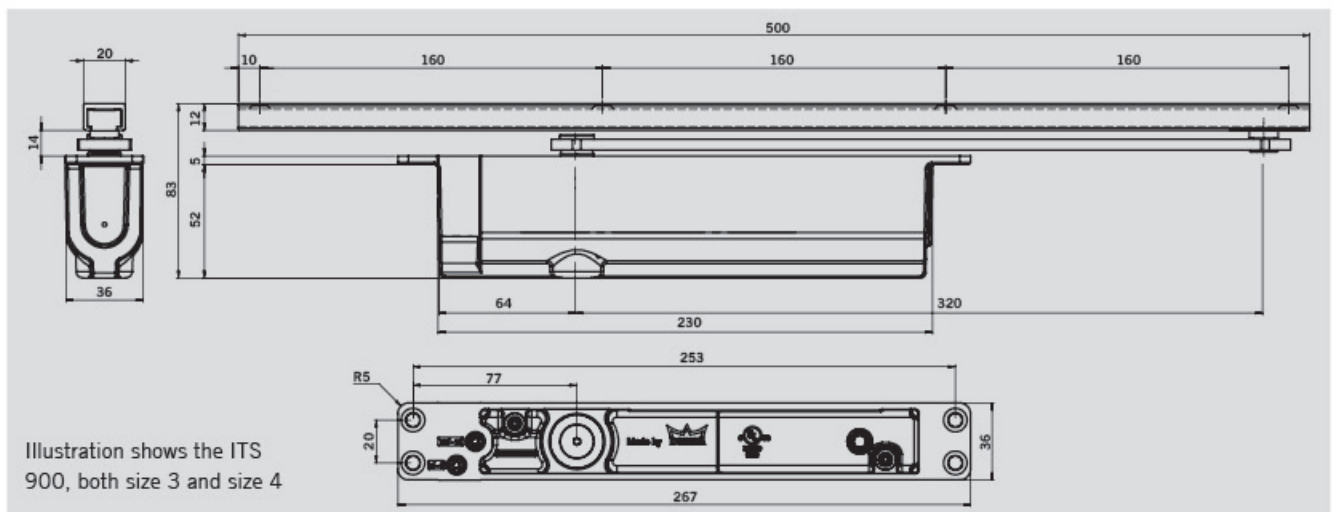


Illustration shows the ITS 900, both size 3 and size 4

ENGINEERING AT ITS BEST FOR EASY ACCESS

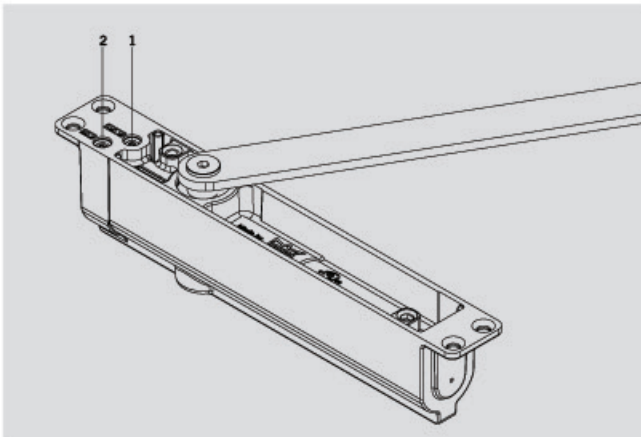
Engineered by DORMA, the inventor and leader of cam-action door closers, ITS 900 concealed door closer ensures that the door can be opened with exceptional ease for effortless access. The compact ITS 900 can be installed for complete visual concealment in

the door and frame. The system is optimally designed with selective strengthening of the closer body and a slim slide channel. At the same time, it offers the same level of user-convenience expected from high-quality door closers, combined with a wide range of

functionality. Its slender inclined body means that it can be easily installed in virtually all doors with a leaf thickness of 45mm or more, while it can operate doors of size 3 or 4 with the same mounting locations. It offers easy adjustment with two independent valves.



VALVE ADJUSTMENT FOR SOLID CLOSING PERFORMANCE

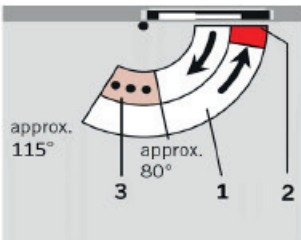
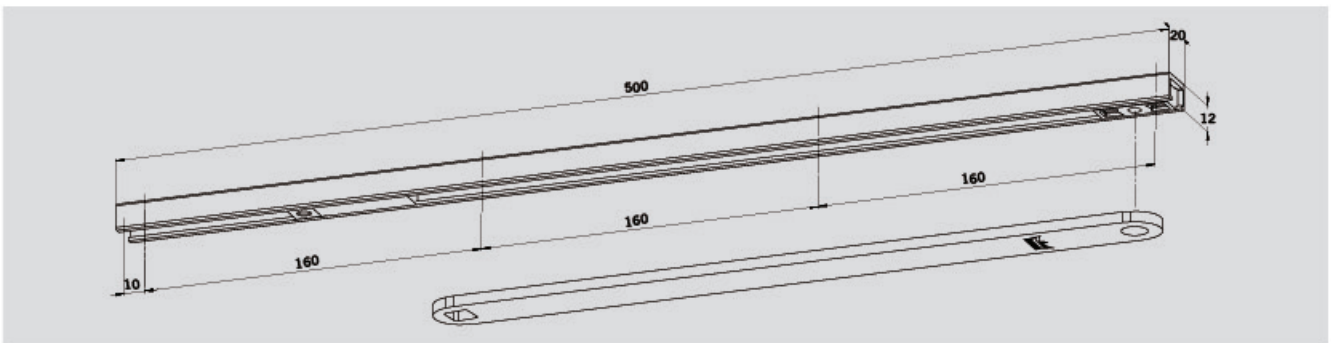


Adjustment settings

The first and second closing speeds of the DORMA ITS 900 can be adjusted at any time, even after the door has been hung.

- 1 Valve for adjusting the first closing speed (115° - 15°)
- 2 Valve for adjusting the second closing speed (15° - 0°)

SLIDE CHANNEL



The ITS 900 pack includes the arm, slide channel, slide block, cushioned limit stay and fixing screws.

- 1 First adjustable closing speed
- 2 Second adjustable closing speed
- 3 Cushioned limit stay

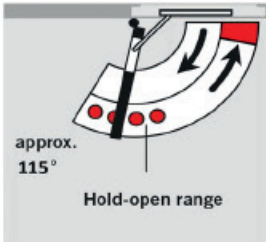
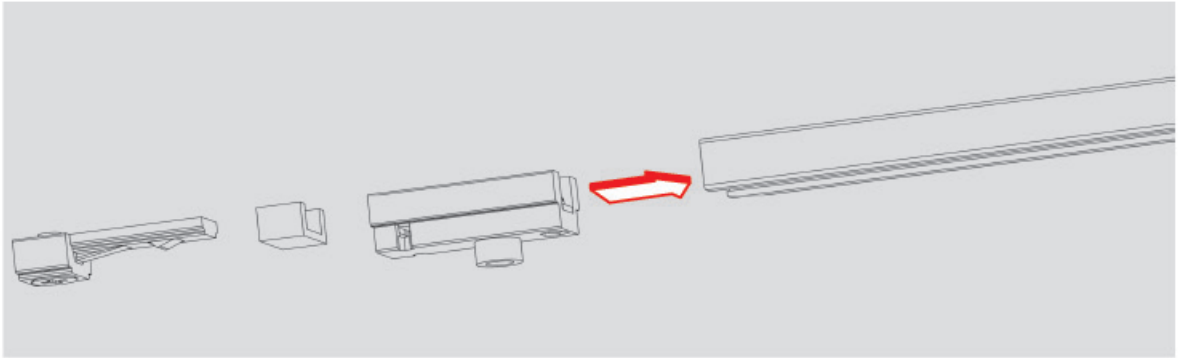


Cushioned limit stay

The mechanically-integrated cushioned limit stay of ITS 900 is progressively damped to protect the wall and doors from damage when the door is opened too wide (under conditions of normal usage). It can be adjusted to an opening angle between approximately 80° and a maximum of 115°.

The cushioned limit stay feature is not an overload protection device and in many cases cannot replace a doorstop.

HOLD-OPEN UNIT

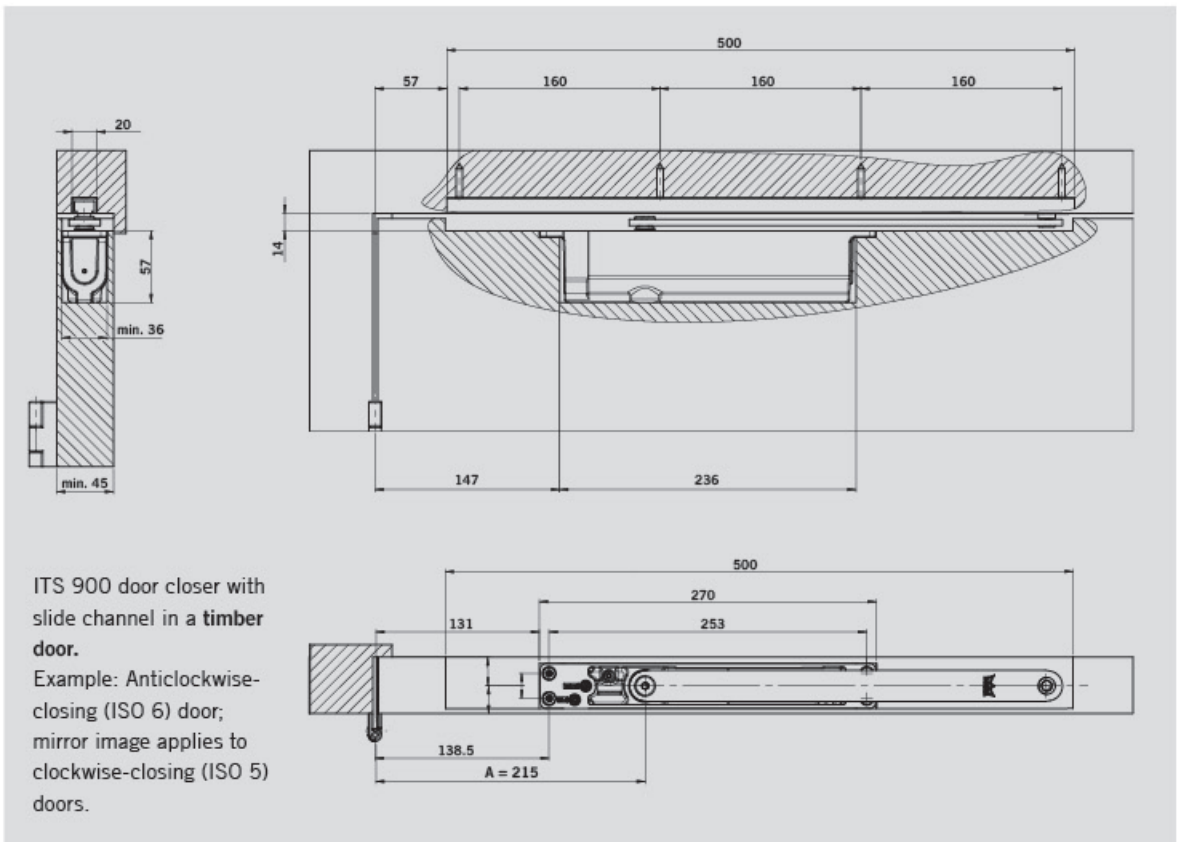


The hold-open unit enables doors to be securely held without any fall-back at precisely the required position up to an opening angle of approximately 115°. No adjustment is needed for pull-off force.

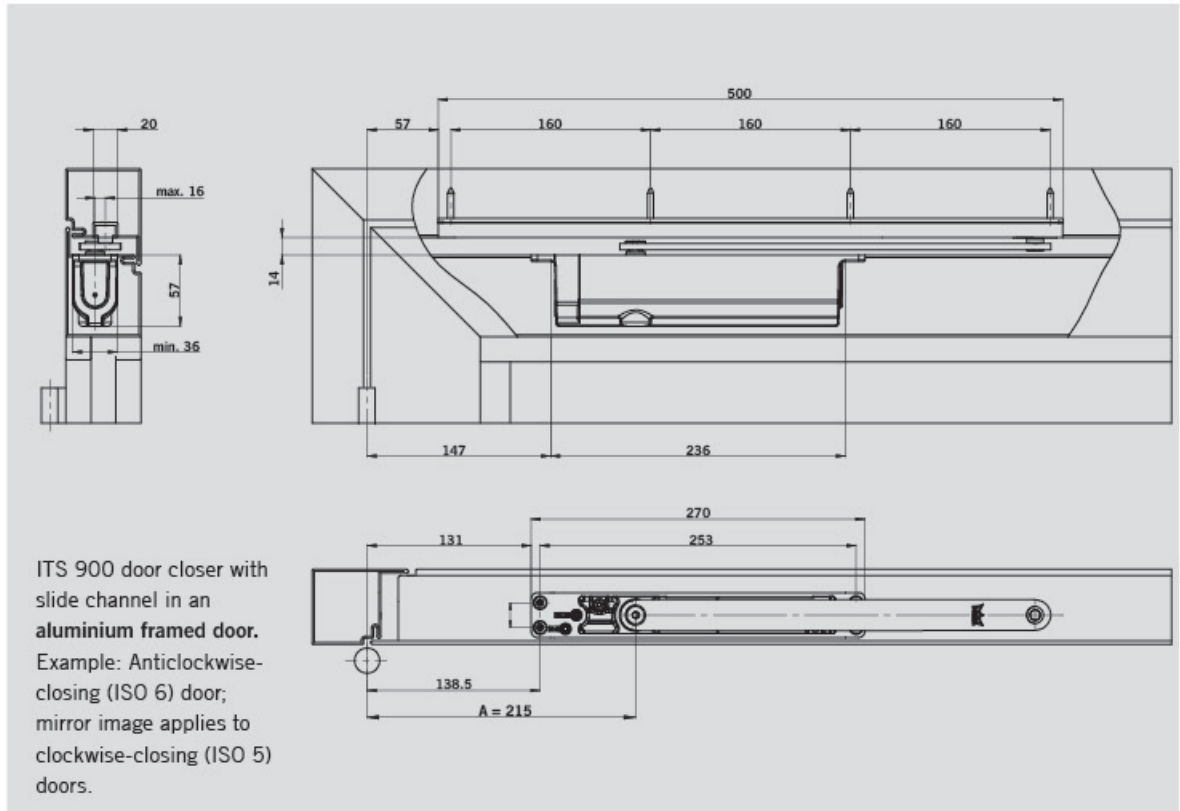
The mechanism is non-handed and has been specifically designed for retrofitting to the slide channel.

Not for fire and smoke check doors.

INSTALLATION DRAWINGS



ITS 900 door closer with slide channel in a **timber door**.
 Example: Anticlockwise-closing (ISO 6) door; mirror image applies to clockwise-closing (ISO 5) doors.



ITS 900 RANGE OF EQUIPMENT

ITS 900	Size 3	52740150
ITS 900	Size 4	52750150
Hold-Open Unit for ITS 900		52009301