

ITS 932

Concealed cam-action door closer for compact and aesthetic doors

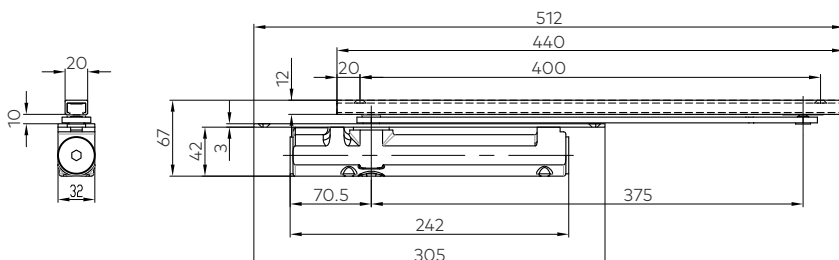
Because of its compact design, the ITS 932 door closer cam technology for standard doors is concealed for virtual invisibility within the door and frame, integrating inconspicuously with the overall architectural ambience.

dormakaba cam-action door closers with EASY OPEN technology feature a heart-shaped cam that significantly reduces the opening resistance that must be overcome, almost as soon as the

door is operated. Children, seniors and the physically disabled can thus open the door without undue effort.

However, it is not only this group of users that benefits from the advantages of the rapidly decreasing opening force required – because this technology also ensures a significant reduction in effort for maximum user friendliness.

Cam-action door closer to EN 1154 for integration in the door leaf or frame, with rapidly decreasing opening resistance, for easy door opening action to DIN SPEC 1104.



Advantages for trade

- Proven-and-tested slide channel technology for standard doors
- Low inventory costs and reduced stocking requirements.

Advantages for installers

- Suitable for LH as well as RH doors.
- Quick and easy installation and Easy adjustment of the closing speed and latch action after hanging of the doors.

Advantages for planners

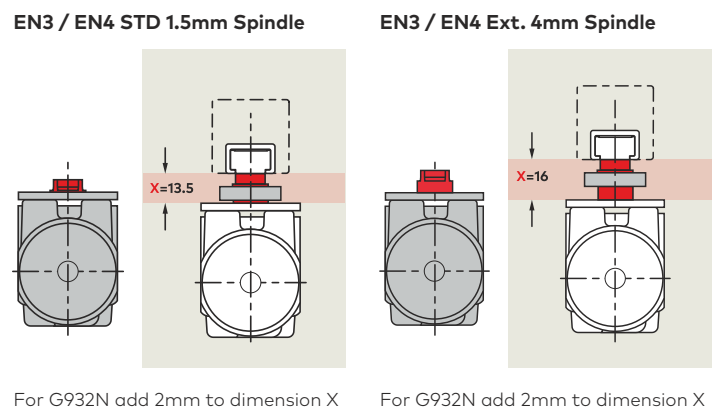
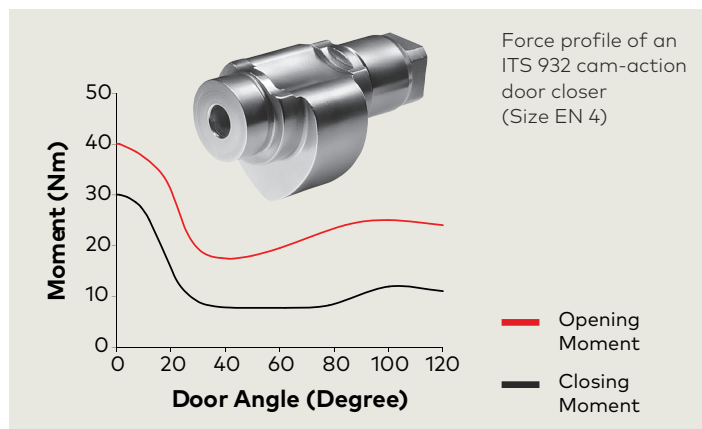
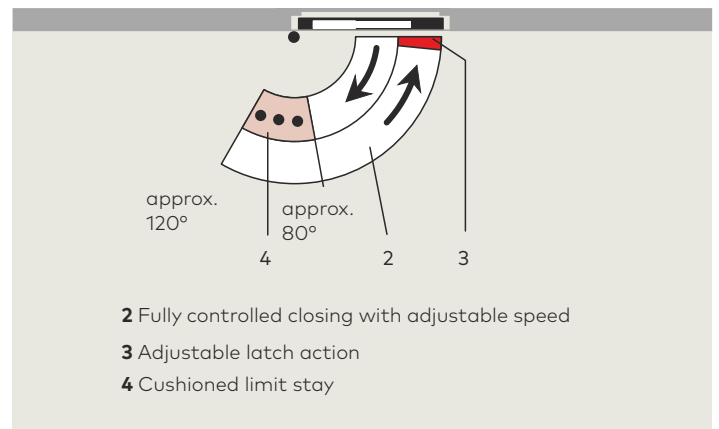
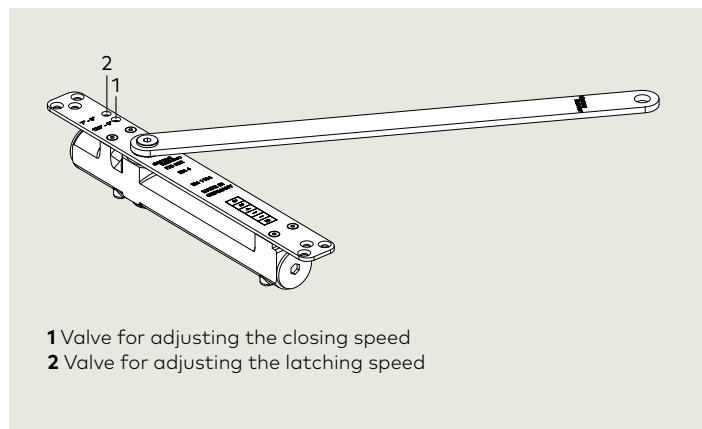
- Optimum price-performance ratio.
- Unblemished appearance of prestige doors thanks to concealed installation.
- Universally suitable for single or double doors.

Advantages for the end user

- Optimum protection against vandalism thanks to the concealed installation
- Enhanced user convenience and fully controlled, reliable closing with adjustable latch action

Data and features		ITS 932	
Closing force	Fixed spring strength	EN3	EN4
Door width	Up to 950mm	●	-
	Up to 1100mm	-	●
Spindle	Standard 1.5mm	●	●
	Ext. 4mm	○	○
Door leaf thickness	from 40mm	●	●
Max. door leaf weight in kg		80	80
Non-handed design		●	●
Arm	Slide channel	●	●
Closing speed adjustable by means of valve	120° - 0°	●	●
Latching speed adjustable by means of valve:	7° - 0°	●	●
Max. door opening angle	120°	●	●
Adjustable Hold Open (not for fire and smoke check doors)	80° - 120°	○	○
Cushion limit stay		●	●
Weight in kg		1.8	1.8
Dimension in mm	Length	242	242
	Width	32	32
	Height	42	42
Corrosion resistant	Class 2	●	●
Environment	-15° ~ 45° C	●	●
Test Cycles	500,000	●	●
Door closer tested to EN 1154		●	●

● Yes - No ○ option



Any questions? We would be happy to answer any questions you may have.

dormakaba India Private Limited

Plot No. 48/3 | Mahindra World City | 8th Avenue | Anjur Village | Chengalpattu District | Tamil Nadu 603002 | INDIA
T +91 44 67 400 200 | enquiry.india@dormakaba.com | www.dormakaba.com/in-en | SERVICE TOLL FREE 1-800 -121- 6414